

General introduction 概述

QW series submersible sewage pump are developed for sewage water delivery based on the advanced technique from abroad and domestic, adopted the best hydraulic model. It is not only have the advantages of high efficiency, circumvolution proof, lockage free, durable, longer service time, but also have the advantages of automatically coupling, automatically control, convenience for installation and move. Especially they are suitable for pumping liquid with solid, sewage, long fibre. QW sewage submersible sewage pump is widely used in municipal engineering, industry, hospital, hotel, building, restaurant for pumping sludge and sewage water.

QW 系列潜水排污泵是我公司在借鉴和吸收国外先进技术的基础上,采用国内目前最优秀的水力模型研制开发的污水污物输送设备。具有防缠绕、无堵塞、高效节能、运行安全可靠、寿命长、自动控制、自动耦合、安装移动方便、排污性能好等特点,特别适合于输送含污物、固体颗粒、长纤维的液体介质。广泛用于市政工程、污水处理厂、工矿企业、医院、建筑、宾馆、饭店等许多行业的污水排放。

We can supply full range of submersible sewage pump. Discharge diameter from 50mm to 600mm, capacity from 100m³/h to 500 m³/h, head from 5m to 60m, motor power from 0.75kw to 315kw, Max. size of pass solid from 5mm to 100mm. 我公司生产的 QW 系列潜水排污泵规格齐全、出水口径 50~600mm, 流量 10~5000m³/h, 扬程 5~60m, 功率 0.75~315kW, 通过固体颗粒直径为 5~100mm, 能满足用户不同需要。

使用条件 Operation condition

1. 电压 380V (660V), 频率 50Hz 三相交流电源。

Power source: 380V/50Hz, 460V/60Hz, 3 Phase

2. 输送介质温度不超过 40℃。

Temperature of medium under 40℃

3. 输送液体介质 PH 值为 4~10。

PH value: 4~10

4. 输送介质中固体颗粒含量体积比不超过 4%。

Volume ratio of solid in medium below 4%.

5. 输送介质密度小于 $1.2 \times 10^3 \text{kg/m}^3$ 。

Density of medium should be lower than $1.2 \times 10^3 \text{kg/m}^3$ 。

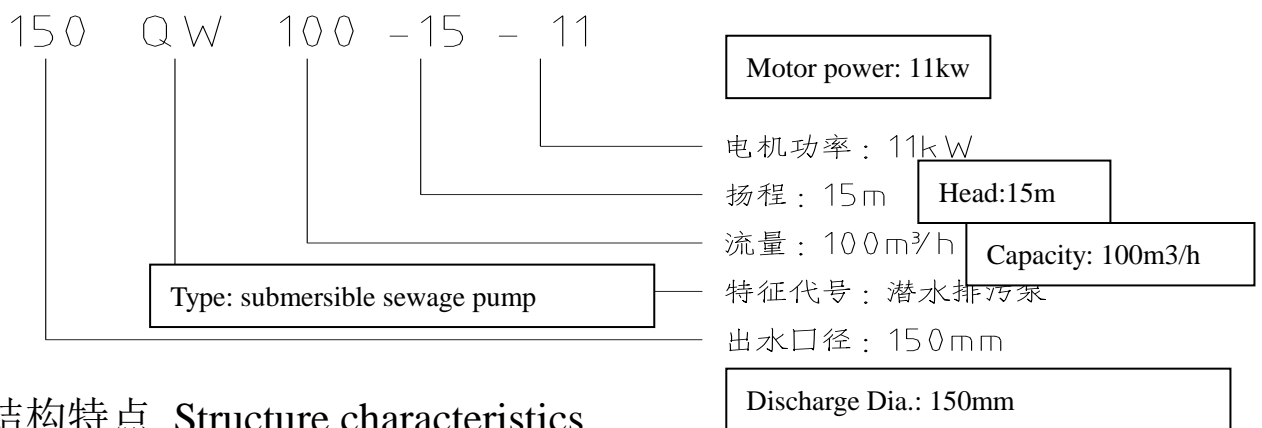
6. 泵不宜在易燃、易爆环境中使用，不可抽送可燃性、腐蚀性较强的液体介质。

The standard QW pump is not allowed for flammable and explosive environment, and it is not suitable for flammable or corrosive medium.

当用户使用条件超出以上要求时，应提出特殊订货的要求，可专门设计制造。

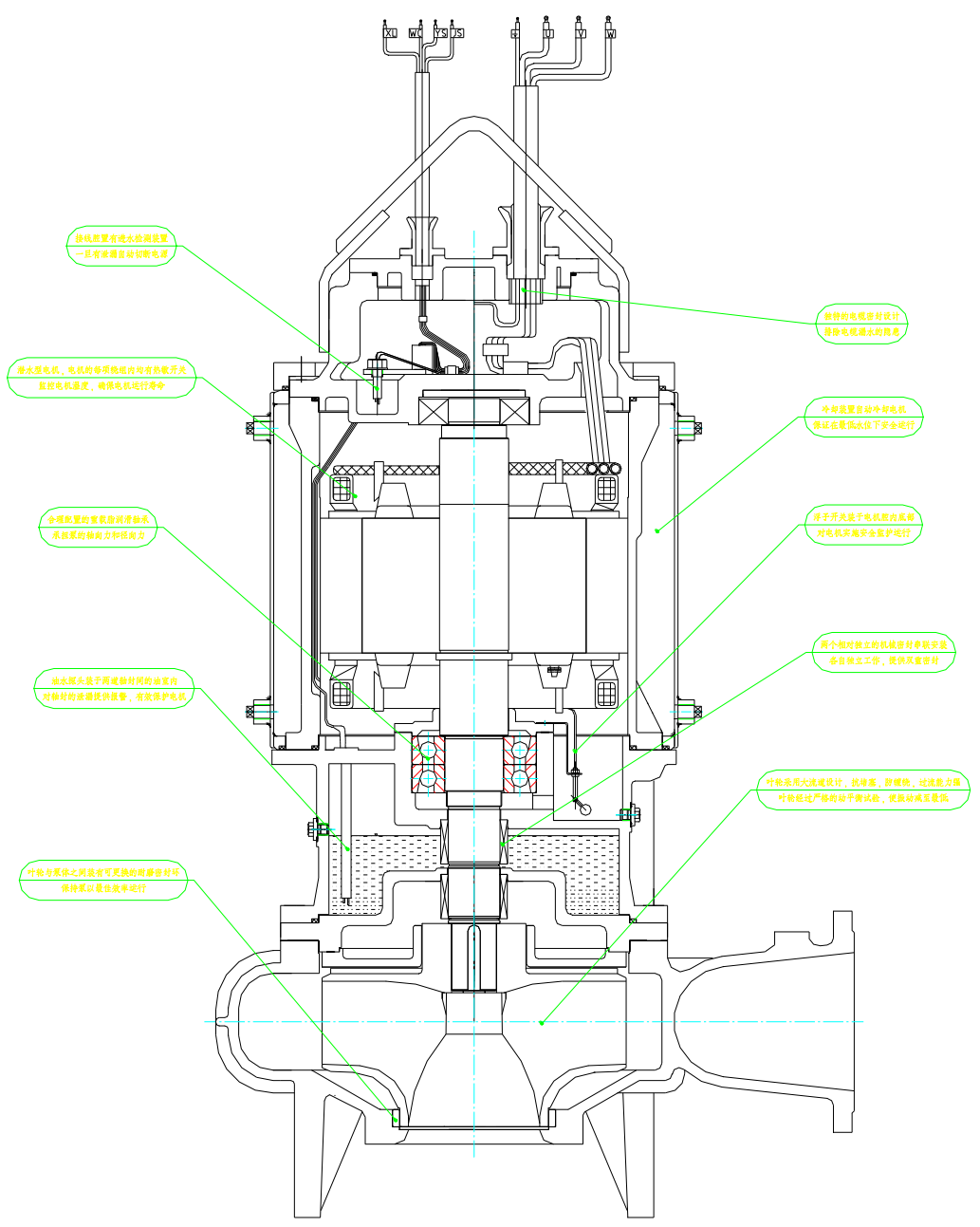
If the application is out of above operation condition, we can supply by special design following the order.

型号意义 Type of meaning



结构特点 Structure characteristics

QW series submersible sewage pump is vertical bottom suction type pump, it contain motor, pump and seal system, the pump was driven by the motor through the community shaft. The pump is compact and with status indicators and protection device for pump safe and reliable operating. QW 系列潜水排污泵属于立式下泵型结构，由电动机、水泵和密封装置三大部分组成。电机与水泵同轴一体潜入水中工作。QW 系列潜水排污泵结构紧凑，并设置了各种状态显示及保护装置，使得泵运行安全、可靠。



Main parameters 性能参数

序号 Item	规格型号 Model	流量 Capacity (m ³ /h)	扬程 Head (m)	电机功率 Motor power (kW)	转速 Speed (r/min)	出水口 径 Discharge (mm)	重量 Weight (kg)
1	50QW15-7-0.75	15	7	0.75	2900	50	26
2	50QW10-10-0.75	10	10	0.75		50	26
3	50QW7-15-1.1	7	15	1.1		50	28
4	50QW15-10-1.1	15	10	1.1		50	28
5	50QW10-12-1.1	10	12	1.1		50	28
6	50QW10-15-1.5	10	15	1.5		50	37
7	50QW25-10-1.5	25	10	1.5		50	37
8	50QW20-10-1.5	20	10	1.5		50	37
9	50QW18-12-1.5	18	12	1.5		50	37
10	50QW15-15-1.5	15	15	1.5		50	37
11	50QW10-20-2.2	10	20	2.2		50	40
12	50QW20-15-2.2	20	15	2.2		50	40
13	50QW25-12-2.2	25	12	2.2		50	40
14	50QW15-28-2.2	15	28	2.2		50	40
15	65QW42-9-2.2	42	9	2.2		65	42
16	65QW30-10-2.2	30	10	2.2		65	42
17	65QW25-15-2.2	25	15	2.2		65	42
18	65QW40-7-2.2	40	7	2.2		65	42
19	65QW35-10-2.2	35	10	2.2		65	42
20	50QW15-22-3	15	22	3		50	52
21	50QW18-20-3	18	20	3		50	52
22	50QW25-15-3	25	15	3		50	52
23	50QW25-20-3	25	20	3		50	52
24	65QW35-15-3	35	15	3		65	54
25	65QW40-12-3	40	12	3		65	54
26	65QW30-16-3	30	16	3		65	54
27	80QW43-13-3S	43	13	3		80	56
28	80QW35-15-3S	35	15	3		80	56
29	80QW50-10-3S	50	10	3		80	56
30	100QW70-7-3	70	7	3		100	58
31	50QW15-28-4	15	28	4		50	60
32	50QW25-22-4	25	22	4		50	60
33	50QW22-25-4	22	25	4		50	60

34	50QW30-18-4	30	18	4	2900	50	60	
35	50QW25-25-4	25	25	4		50	60	
36	65QW35-20-4	35	20	4		65	63	
37	65QW40-15-4	40	15	4		65	63	
38	80QW45-12-4	45	12	4		80	65	
39	8QW50-15-4	50	15	4		80	65	
40	80QW60-13-4	60	13	4		80	66	
41	100QW70-10-4	70	10	4		100	66	
42	100QW80-8-4	80	8	4		100	66	
43	100QW100-7-4	100	7	4		100	66	
44	50QW25-30-5.5	25	30	5.5		50	80	
45	50QW15-32-5.5	15	32	5.5		50	80	
46	50QW35-22-5.5	35	22	5.5		50	80	
47	65QW45-20-5.5	45	20	5.5		65	82	
48	65QW35-25-5.5	35	25	5.5		65	82	
49	80QW45-17-5.5	45	17	5.5		80	85	
50	80QW45-20-5.5	45	20	5.5		80	85	
51	80QW50-18-5.5	50	18	5.5		80	85	
52	80QW50-20-5.5	50	20	5.5		80	85	
53	80QW50-22-5.5	50	20	5.5		80	85	
54	100QW80-12-5.5	80	12	5.5		100	96	
55	100QW100-10-5.5	100	10	5.5		100	96	
56	100QW120-8-5.5	120	8	5.5		100	96	
57	65QW30-30-7.5	30	30	7.5		65	105	
58	65QW45-25-7.5	45	25	7.5		65	105	
59	80QW50-22-7.5	50	22	7.5		80	108	
60	100QW60-20-7.5	60	20	7.5		100	108	
61	100QW70-18-7.5	70	18	7.5		100	108	
62	100QW120-10-7.5	120	10	7.5		100	120	
63	100QW100-15-7.5	100	15	7.5		100	120	
64	150QW140-10-7.5	140	10	7.5		150	120	
65	150QW180-7-7.5	180	7	7.5		150	120	
66	100QW50-35-11	50	35	11		1450	100	190
67	100QW40-36-11	40	36	11			100	190
68	100QW70-22-11	70	22	11			100	190
69	100QW100-15-11	100	15	11	100		190	
70	100QW100-22-11	100	22	11	100		190	
71	150QW150-10-11	150	10	11	150		230	
72	150QW220-7-11	220	7	11	150		230	
73	200QW360-6-11	360	6	11	200		260	
74	200QW300-7-11	300	7	11	200		260	
75	100QW87-28-15	87	18	15	100		270	
76	100QW70-28-15	70	28	15	100		270	

77	100QW140-18-15	140	18	15	1450	100	270
78	100QW100-22-15	100	22	15		100	270
79	100QW100-28-15	100	28	15		100	270
80	150QW200-10-15	200	10	15		150	280
81	150QW150-15-15	150	15	15		150	280
82	150QW200-14-15	200	14	15		150	280
83	150QW180-20-18.5	180	20	18.5		150	360
84	150QW150-22-18.5	150	22	18.5		150	360
85	150QW70-40-18.5	70	40	18.5		150	360
86	200QW300-10-18.5	300	10	18.5		200	390
87	200QW250-15-18.5	250	15	18.5		200	390
88	200QW250-17-18.5	250	17	18.5		200	390
89	250QW400-6-18.5	400	6	18.5		250	430
90	150QW150-22-22	150	22	22		150	540
91	150QW200-22-22	200	22	22		150	540
92	200QW400-10-22	400	10	22		200	540
93	250QW600-7-22	600	7	22		250	560
94	250QW720-6-22	720	6	22		250	560
95	250QW500-10-22	500	10	22		250	560
96	150QW100-40-30	100	40	30	150	680	
97	150QW200-30-30	200	30	30	150	700	
98	200QW250-22-30	250	22	30	200	700	
99	200QW350-20-30	350	20	30	200	700	
100	200QW360-15-30	360	15	30	200	700	
101	150QW140-41-37	140	41	37	150	870	
102	250QW700-11-37	700	11	37	250	980	
103	250QW900-8-37	900	8	37	250	980	
104	150QW220-42-45	220	42	45	150	1100	
105	200QW250-35-45	250	35	45	200	1150	
106	200QW400-24-45	400	24	45	200	1150	
107	200QW450-20-45	450	20	45	200	1150	
108	250QW600-15-45	600	15	45	250	1200	
109	250QW700-12-45	700	12	45	250	1200	
110	350QW900-10-45	900	10	45	350	1240	
111	350QW900-14-55	900	14	45	350	1280	
112	350QW1100-10-55	1100	10	55	350	1280	
113	350QW800-15-55	800	15	55	350	1280	
114	200QW400-30-55	400	30	55	200	1300	
115	250QW600-20-55	600	20	55	250	1340	
116	200QW350-40-75	350	40	75	200	1420	
117	250QW700-22-75	700	22	75	250	1420	
118	250QW600-25-75	600	25	75	250	1420	
119	350QW1300-10-75	1300	10	75	350	1510	

120	350QW1000-15-75	1000	15	75	980	350	1510
121	400QW1500-10-75	1500	10	75		400	1510
122	200QW400-40-90	400	40	90		200	1450
123	250QW650-30-90	2650	30	90		250	1450
124	400QW1200-18-90	1200	18	90		400	1600
125	400QW1500-15-90	1500	15	90		400	1600
126	200QW480-37-110	480	37	110		200	1850
127	250QW700-33-110	700	33	110		250	1850
128	300QW950-24-110	950	24	110		300	1900
129	500QW2500-10-110	2500	10	110		500	2100
130	200QW500-54-132	500	54	132		200	1860
131	300QW800-35-132	800	35	132		300	1860
132	350QW1085-28-132	1085	28	132		350	2350
133	400QW2000-15-132	2000	15	132		400	2600
134	200QW650-52-160	650	52	160		200	2450
135	350QW1000-36-160	1000	36	160		350	2450
136	400QW1500-26-160	1500	26	160		400	2800
137	400QW1700-22-160	1700	22	160		400	2800
138	500QW2600-15-160	2600	15	160		500	3200
139	500QW3600-10-160	3600	10	160		500	3200
140	400QW1800-22-185	1800	22	185		400	3450
141	600QW3500-12-185	3500	12	185		600	3450
142	300QW800-55-200	800	55	200		300	3650
143	400QW1700-30-200	1700	30	200		400	3650
144	600QW3000-16-200	3000	16	200		600	3650
145	350QW1000-40-220	1000	40	220		350	3700
146	500QW2400-22-220	2400	22	220		500	3700
147	350QW1500-35-250	1500	35	250		350	3300
148	400QW1800-32-250	1800	32	250		400	3300
149	500QW2650-24-250	2650	24	250		500	3650
150	600QW3750-17-250	3750	17	250		600	3650
151	600QW3000-24-280	3000	24	280	600	3950	
152	400QW1600-50-315	1600	50	315	400	3750	
153	400QW2000-35-315	2000	15	315	400	3750	
154	600QW5000-15-315	5000	15	315	600	5100	

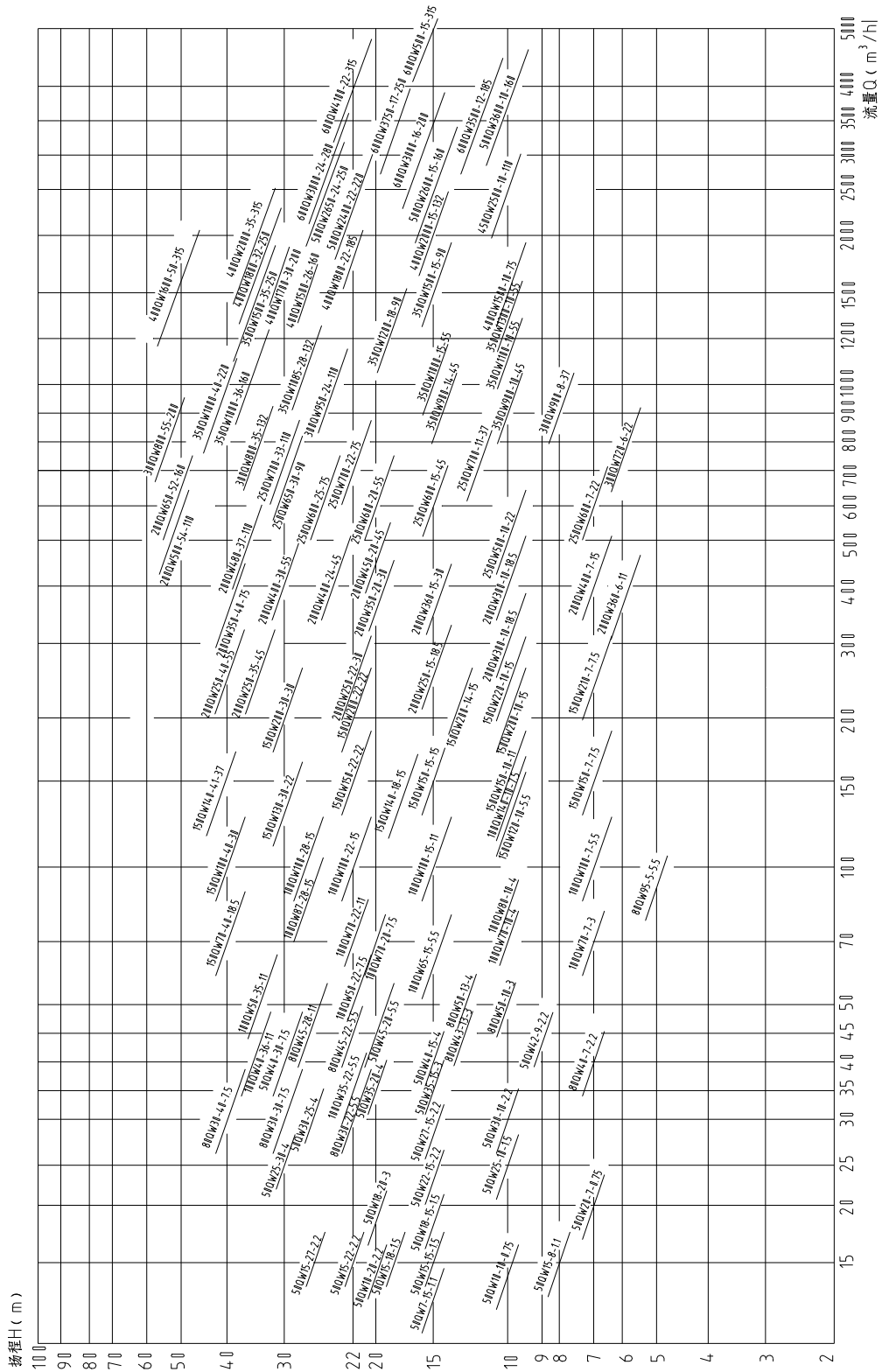
注: Note:

1. 本公司可提供不同于以上性能参数的潜水排污泵。

Our company can supply more pumps which the main parameters out of above table following the order.

2. 根据用户不同要求, 本公司可提供各种材质的潜水排污泵。

Our company can supply different material pumps following the order.



图一 QW 系列潜水排污泵型谱图

Family curve of QW series pumps

安装与使用 Installation and application

QW 系列潜水排污泵其安装方式分为移动式安装和固定式安装。固定式安装又分为自动耦合式安装、固定式湿式安装、固定式干式安装。移动式安装又叫自由式安装，有两种连接形式：硬管连接和软管连接。各种安装形式见下图：

The installation modes of QW series pump are fixed installation and removable installation. The fixed installation includes Auto-coupling installation, fixed wet installation and fixed dry installation. Removable installation also can be called free installation; the discharge can be connected with flexible pipe and rigid pipe.

固定式安装形式 Fixed installation

1、自动耦合式安装 Auto-coupling installation

自动耦合安装装置可以将电泵快而简便地沿滑移导轨放入污水介质中，泵和底座自动耦合、密封，安装及维修提升十分方便。

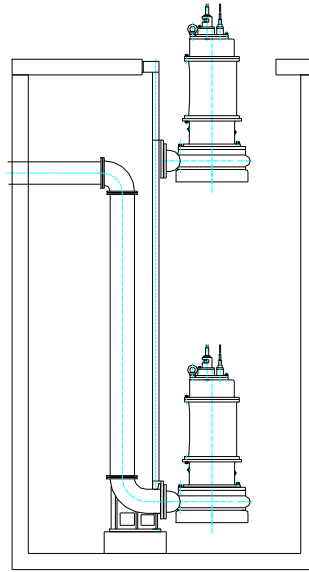
The auto coupling installation can put the sewage pump along guide rail into sewage fast and simply. The pump and the pedestal can be coupled automatically; installation, service and lifting are very convenient.

在这种安装形式中，泵与耦合法兰相连。耦合底座固定于泵坑底部（在建造污水坑时，先预埋好地脚螺栓，使用时将耦合底座固定即可），与出水管连接好，在坑顶安装好配套的支块，用导轨使两者相连，泵可以在导轨中上下自由移动。当泵放下时，耦合装置自动地与耦合底座耦合，而提升时泵与耦合底座自动脱离。

In this installation mode, pump and coupling is corrected before installation. The coupling base is fixed in advance at the bottom of the sump. The fixed bolts are mounted when the sump is constructed). The pump can be moved freely along guide rail.

2、这种方式可根据用户要求配备液位开关，中间端子箱及全自动保护控制柜。在选型时，注明泵的型号、安装方式、池深、泵控制保护方式，以便提供最优的系统。

Water level control switch, terminal box and full automatic control panel is available in this mode following the order. The pump model, installation mode, sump depth, control system of pumps should be provided when consult us for pump model selection.

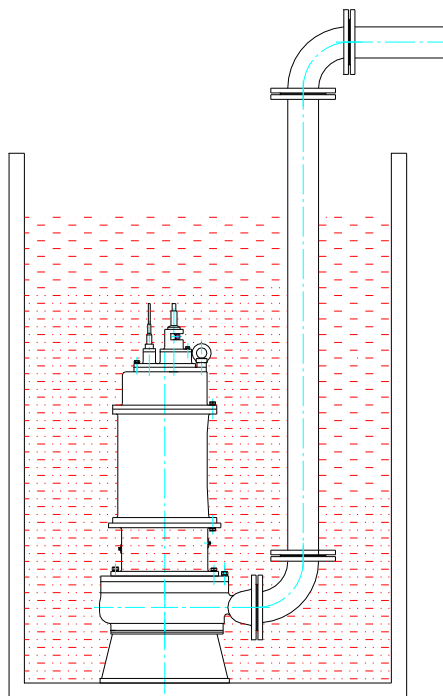


自动耦合式安装

3、 Fixed wet installation 固定式湿式安装

泵由底座支承，固定于污水池底，排水口与管道连接，立式安装。

Vertical installation, the pump is supported by pedestal which is fixed on the bottom of sump. The discharge connected with delivery pipe through Elbow.

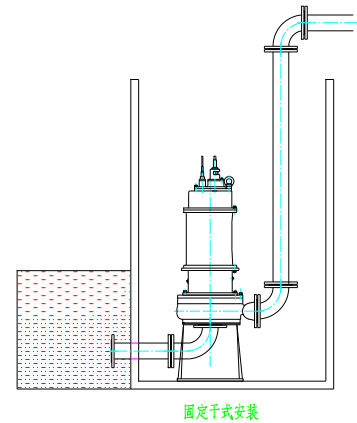


固定湿式安装

4、 固定式干式安装 Fixed dry installation

能经受水淹，供湿/干水池或管线连接的泵系统。吸水口和排水口以法兰与管道连接，立式安装。选用此种安装，必须配套冷却系统。

The set is installed aside of pump pit which on the pedestal with inlet pipe. Being adopting cooling, it can make the pump operate in full load, the continuous flowing impact can not break the pump, and it is suitable for various situations for municipal engineering, crossway sewage drainage.



成套供应范围与订货须知

Supply and order

供货范围 Scope of supply		安装方式 Installation mode			备注 Note
		移动式安装 Removable mode		固定式安 装 Fixed installation	
		硬管连接 Rigid pipe	软管连接 Flexible pipe		
必 供 件 Necessary	潜水排污泵 Submersible sewage pump	√	√	√	
	PMCC 控制柜 PMCC control panel	√	√	√	
	自动耦合装置			√	导轨长度由用 户提供

	Auto coupling				
	弯管 Elbow	√	√		
	胶管接头 Flexible adaptor		√		
选 供 件 Optional	中间端子箱 Terminal box	√	√	√	
	拦污栅 Trashrack	√	√	√	
	闸阀或蝶阀 Gate valve	√	√	√	
	止回阀 Non-return valve	√	√	√	
	液位开关 Water level sensor	√	√	√	
	地脚螺栓 (一套) Foot bolts (1 set)			√	
易 损 件 Easy fast parts	O形圈 “O” rings	√	√	√	
	叶轮 Impeller	√	√	√	
	轴承 Bearing	√	√	√	
	机械密封 Mechanical seal	√	√	√	
	密封环 Wear ring	√	√	√	

注意：选择移动式安装或固定式安装由用户自己确定。

Note: The installation mode should be confirmed by customer.

订货须知 INSTRUCTION TO ORDER

1、在合同中应注明准确的产品型号和产品名称、安装形式、性能参数（流量、扬程、电机功率）和使用电压。

Please give it clear indication of pump model, installation mode, main parameter (capacity, head, motor power) and power source.

2、控制柜应注明其启动方式（直接启动、自藕降压启动、可控硅软启动）、液位控制方式（浮球液位、压力变送器数显液位）、安装形式（户内型、户外型）。

Please give it clear indication of start mode (DOL, Auto-transformer start, soft start),

water level control mode(floating switch, pressure transformer digital indicator),
installation position (in door or out door).

3、如需配端子箱，应注明是控制型，还是接线型。

If you need terminal box, please give it clear indication of whether the terminal box is
used for control or junction only.

4、在“供货范围”中需由用户确定的尺寸应及时提供。

Please provide the dimensions on time which should be confirmed by customer listed
in “scope of supply”

5、本公司潜水排污泵电缆正常供货长度为 10 米，导轨长度为 3 米，若用户有特
殊要求，请予注明。

The standard cable length is 10m, and guide rail is 3m in general supply. If you have
special request, please indicate in the order.

6、我们公司可以为用户提供耐酸、碱、盐等特殊环境的污水泵及配套产品，特
殊订货，专门生产。

Our company can supply the pumps and accessories against acid, alkali, salt ect.
special environment following your order.